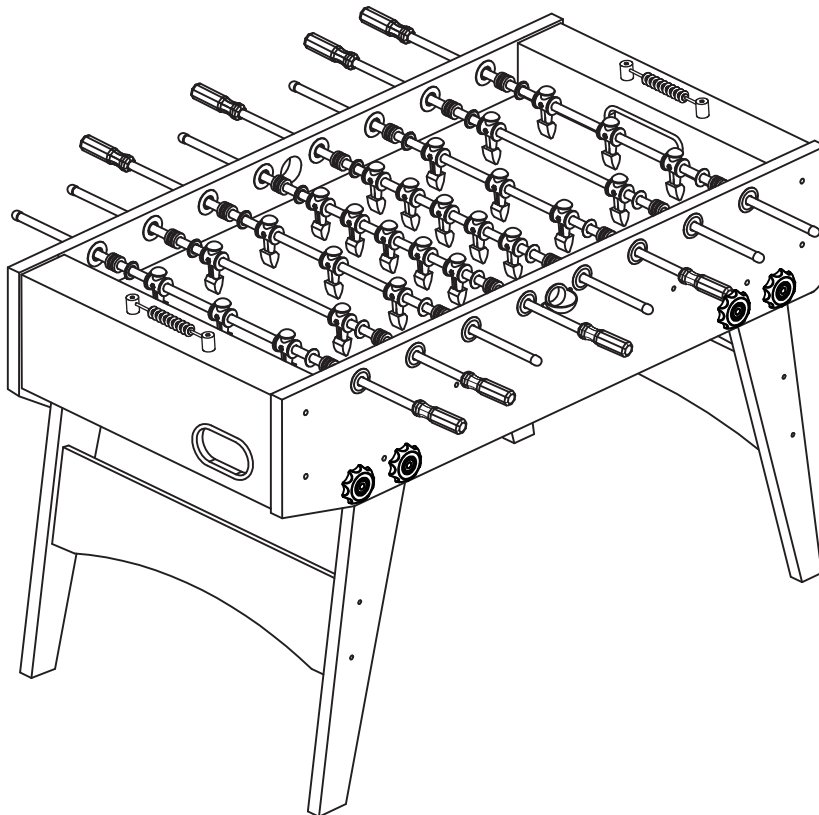




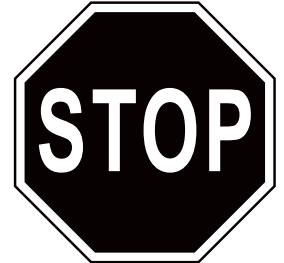
**KICK Dreamfyre 55"**  
**(Brown/Black)**  
FOOSBALL TABLE  
ASSEMBLY INSTRUCTIONS



FY504

# Assembly Instructions

**WARNING: TWO ADULTS ARE NEEDED TO ASSEMBLE THE SOCCER TABLE**



## Official Website of KICK Foosball Tables



IF YOUR TABLE HAS DAMAGES, MISSING PARTS, OR YOU ARE NOT **100%** SATISFIED PLEASE CONTACT KICK, NOT THE RESELLER.

← SCAN THIS QR CODE TO CONTACT US IF YOU FACE ANY ISSUES.

FOR THE LATEST INSTRUCTION MANUALS, VIDEOS, TABLE ASSEMBLY INFO, DIFFERENT GOALIE SETUPS, PLAYER TYPES, AND OTHER HELPFUL TIPS - PLEASE VISIT THE LINK BELOW OR SCAN THIS QR CODE →

[www.KICKFoosballTables.com/Instructions/](http://www.KICKFoosballTables.com/Instructions/)



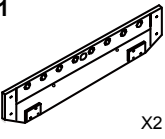
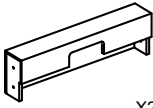
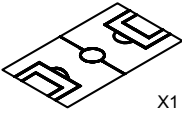
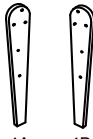



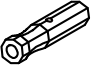












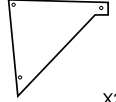
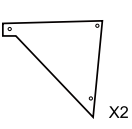
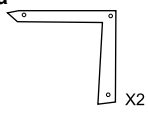
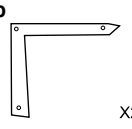
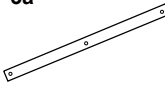
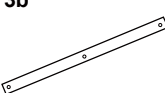
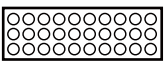



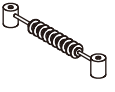


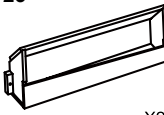
### CONTACT INFORMATION:

Email: Support@KICKFoosballTables.com  
Website: www.KICKFoosballTables.com  
Phone: 1 (866) 844-KICK (5425) or (210) 664-8934









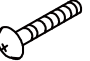








### MAILING ADDRESS:

KICK Sports  
PO Box 790311  
San Antonio, Texas 78279

# PARTS LIST

<b>1</b>  X2 SIDE PANEL	<b>2</b>  X2 ENDP PANEL	<b>3</b>  X1 PLAYFIELD	<b>4</b>  4A 4B X4 LEG	<b>5</b>  X2 CROSS BAR	<b>6</b>  X3 SUPPORT ROD	<b>7</b>  X3 SUPPORT BRACE
<b>8</b>  X8 ROD HANDLE	<b>9</b>  X8 ROD END CAP	<b>10</b>  X16 ROD BUMPER	<b>11</b>  X16 ROD WASHER	<b>12</b>  X2 BALL ENTRY CUP	<b>13a</b>  X13 PLAYER	<b>13b</b>  X13 PLAYER
<b>13c</b>  X13 PLAYER	<b>13d</b>  X13 PLAYER	<b>14</b>  X4 STOP RING	<b>15</b>  X4 3 PLAYER ROD	<b>16</b>  X2 2 PLAYER ROD	<b>17</b>  X2 5 PLAYER ROD	<b>1a</b>  X2 TRIANGLE a
<b>1b</b>  X2 TRIANGLE b	<b>2a</b>  X2 L STYLE PLASTIC a	<b>2b</b>  X2 L STYLE PLASTIC b	<b>3a</b>  X2 LONG PLASTIC a	<b>3b</b>  X2 LONG PLASTIC b	<b>P13</b> 1 SET  SCREW COVERS (to cover the hole of the screws S1)	<b>19a</b>  X2 SOCCER BALL
<b>19b</b>  X2 SOCCER BALL	<b>19c</b>  X2 SOCCER BALL	<b>20</b>  X2 SLIDES SCORER	<b>21</b>  X4 LEG LEVELER	<b>22</b>  X8 POSITION LOCK SYSTEM	<b>23</b>  X2 GOAL BOX	

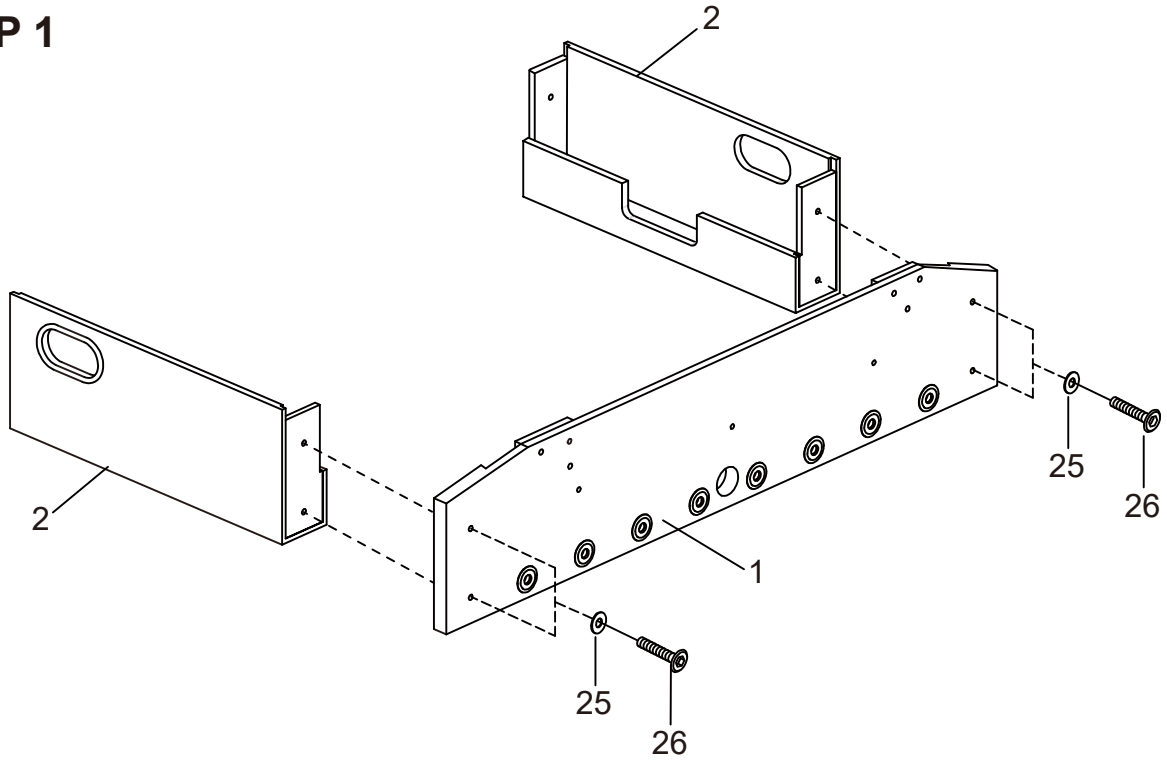
# HARDWARE

<b>24</b> X4  5/16" x 3" BOLT	<b>25</b> X20  5/16" WASHER	<b>26</b> X8  5/16" x 2-1/2" BOLT	<b>27</b> X8  1/4" x 2-3/4" BOLT	<b>28</b> X8  1/4" WASHER	<b>29</b> X6  1/4" NUT	<b>30</b> X12  1/8" x 1" SCREWS
<b>31a</b> X26  5/32" x 1-1/8" BOLT	<b>31b</b> X26  5/32" x 1-1/8" BOLT	<b>32a</b> X26  5/32" NUT	<b>32b</b> X26  5/32" NUT	<b>33</b> X4  1/8" x 2" SCREWS	<b>34</b> X8  1/8" x 3/4" SCREWS	<b>35</b> X2  1/8" x 1/2" SCREWS
<b>36</b> X8  1/4" LOCK NUT	<b>37</b> X2  ALLEN KEY	<b>S1</b> X36  1/2" FLAT HEAD SCREWS				

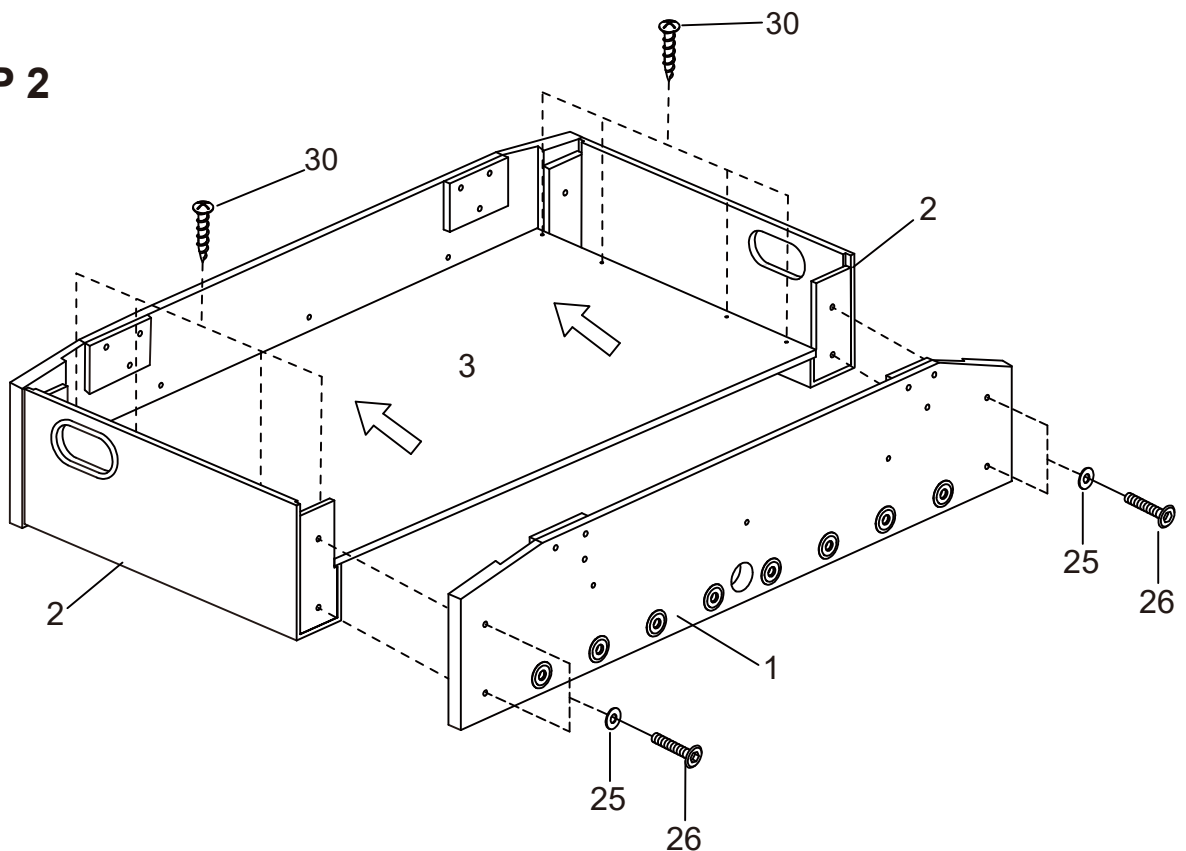
# Assembly Instructions

WARNING: TWO ADULTS ARE NEEDED TO ASSEMBLE THE SOCCER TABLE

## STEP 1



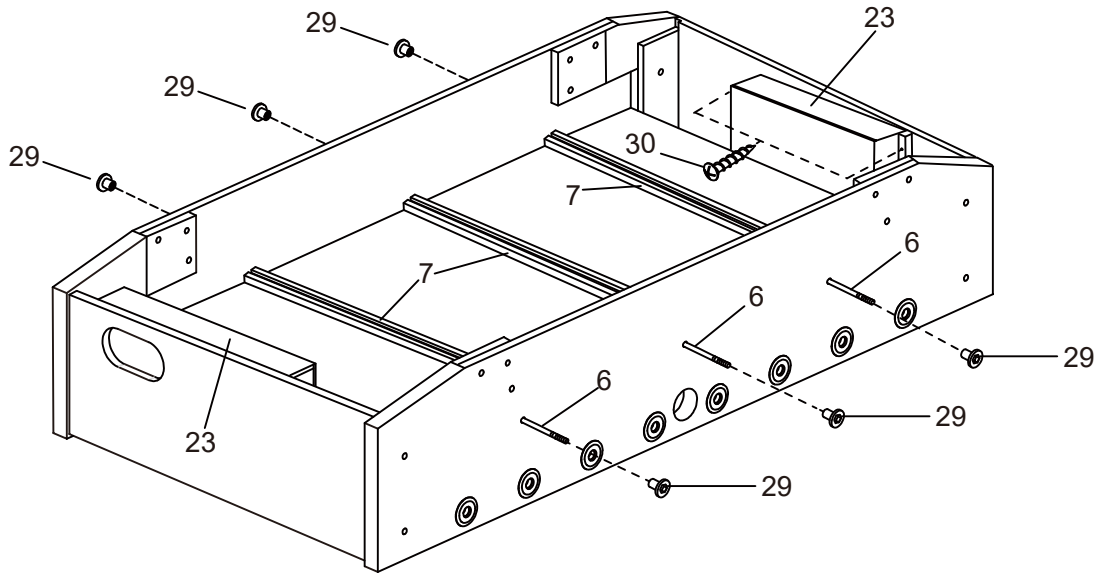
## STEP 2



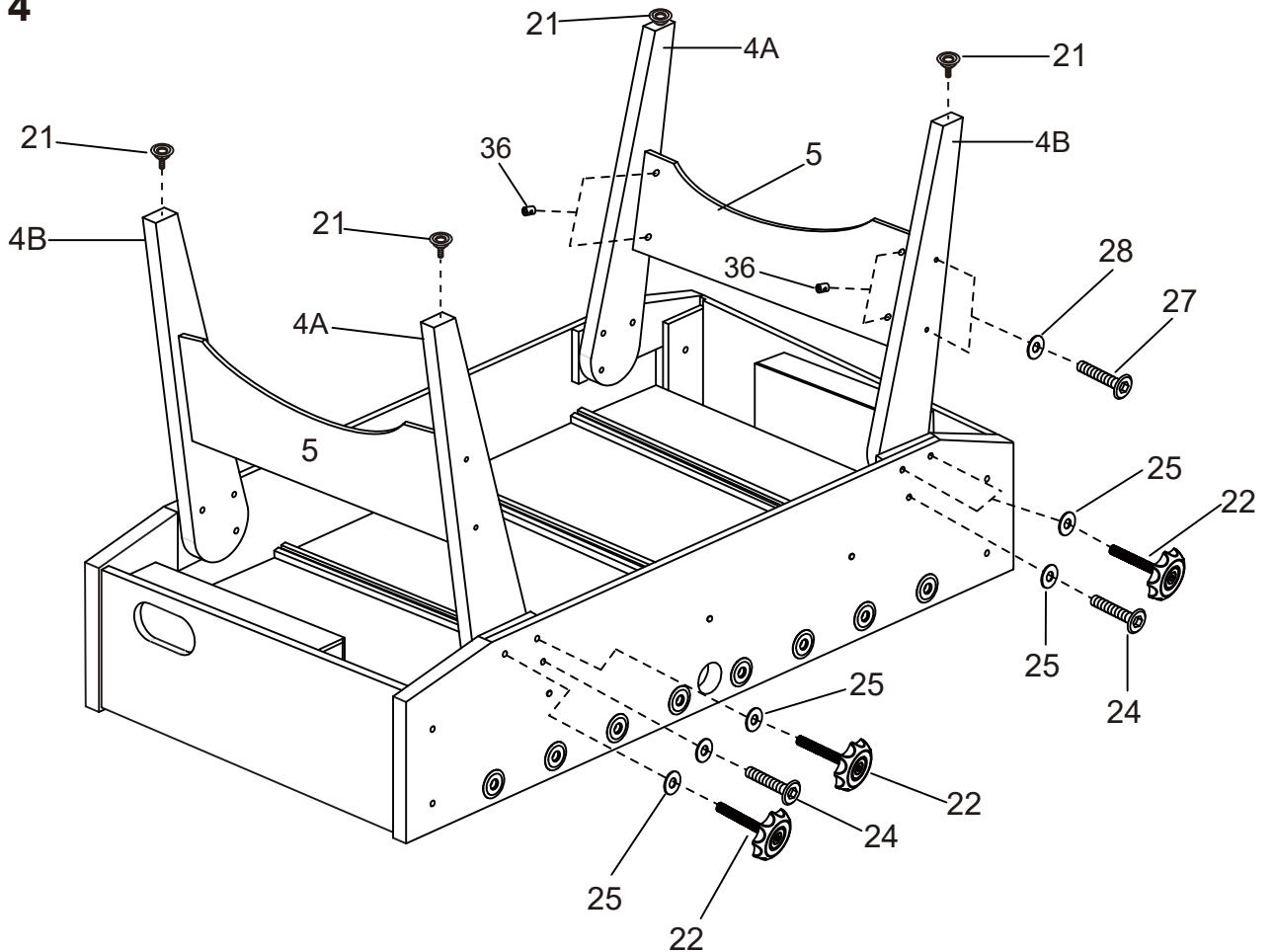
# Assembly Instructions

WARNING: TWO ADULTS ARE NEEDED TO ASSEMBLE THE SOCCER TABLE

## STEP 3



## STEP 4

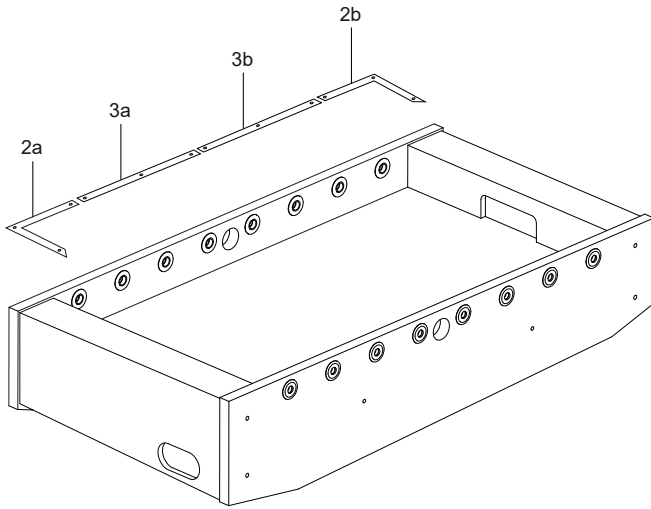


# Assembly Instructions

**WARNING: TWO ADULTS ARE NEEDED TO ASSEMBLE THE SOCCER TABLE**

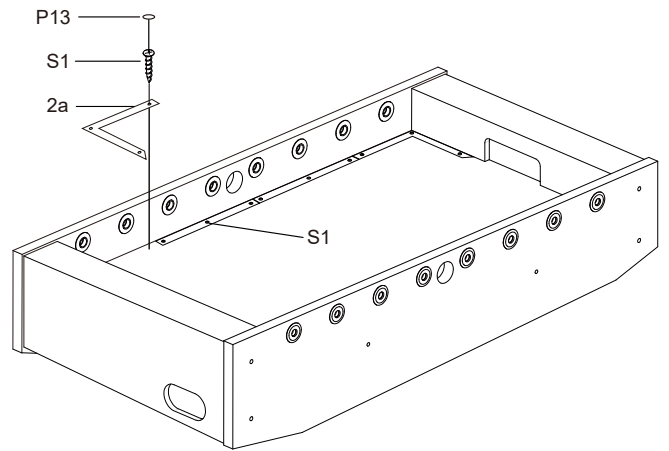
## STEP 5A

Steps 5A to 5E are optional if you want.



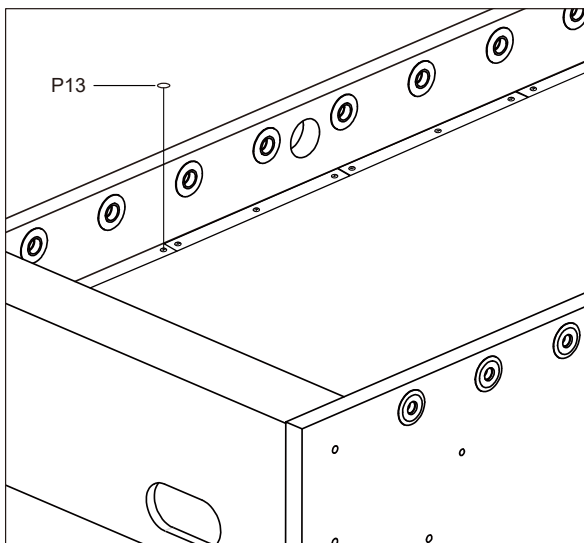
## STEP 5B

Attach the plastic 2a, 2b, 3a, 3b to the playing field with S1.

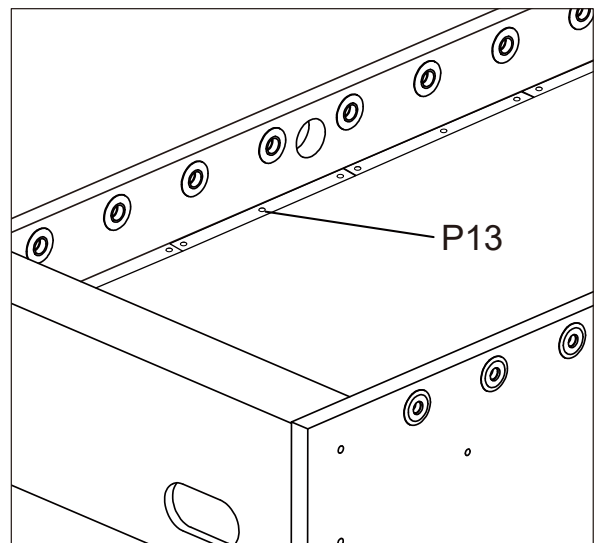


## STEP 5C

Cover the Screw Hole Cap P13 to the screw hole.



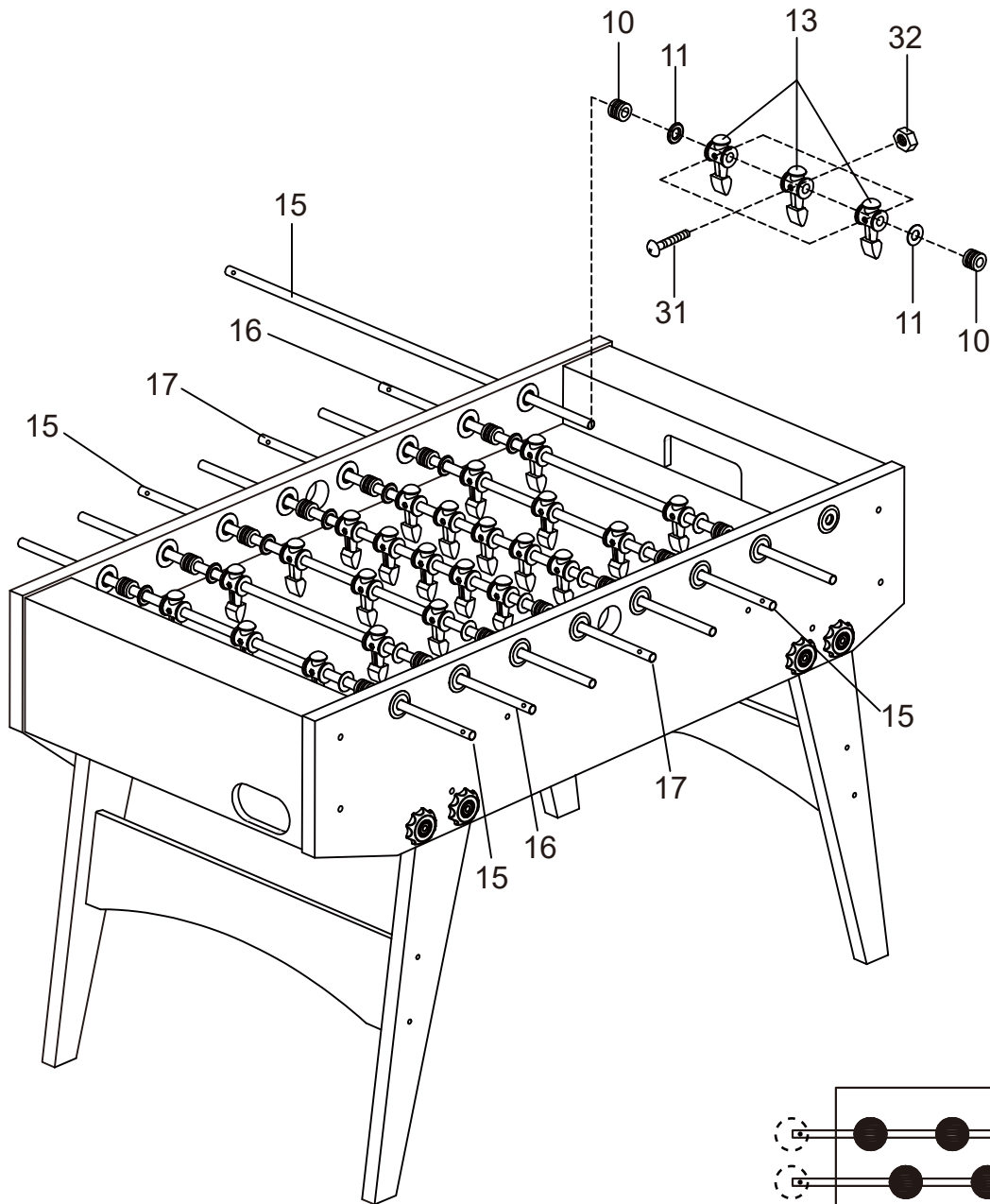
## STEP 5D



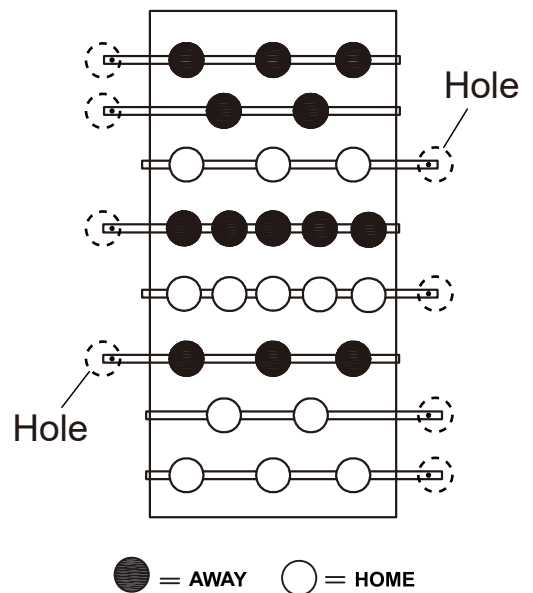
# Assembly Instructions

WARNING: TWO ADULTS ARE NEEDED TO ASSEMBLE THE SOCCER TABLE

## STEP 5E



*Insert the rod end part way through one side panel, and then place the rest of the parts needed on each rod, in the order shown, before inserting through the other side panel.*

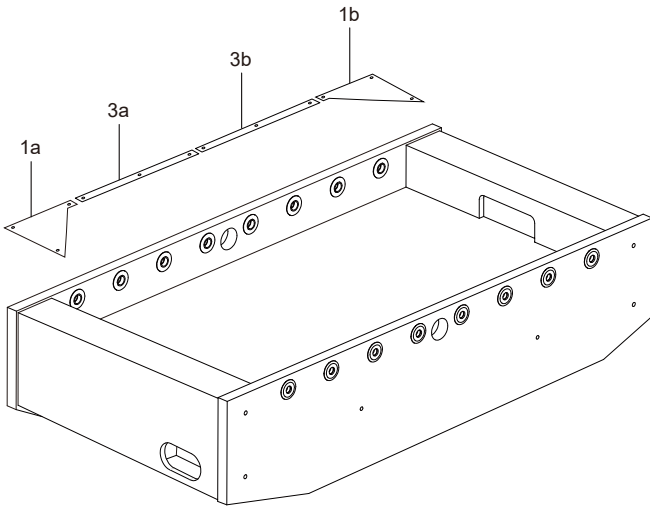


# Assembly Instructions

**WARNING: TWO ADULTS ARE NEEDED TO ASSEMBLE THE SOCCER TABLE**

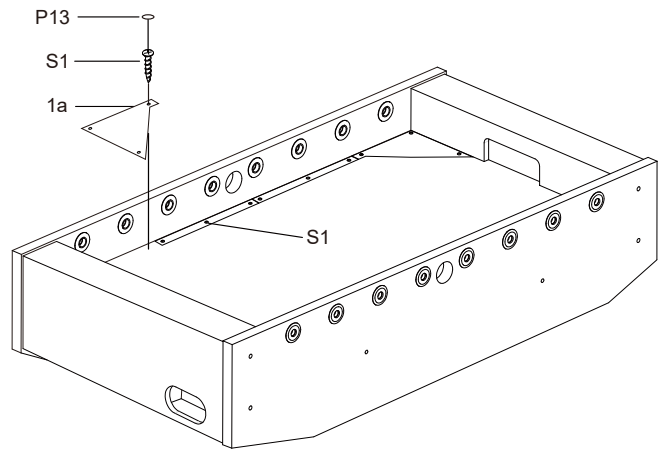
## STEP 6A

Steps 6A to 6E are optional if you want.



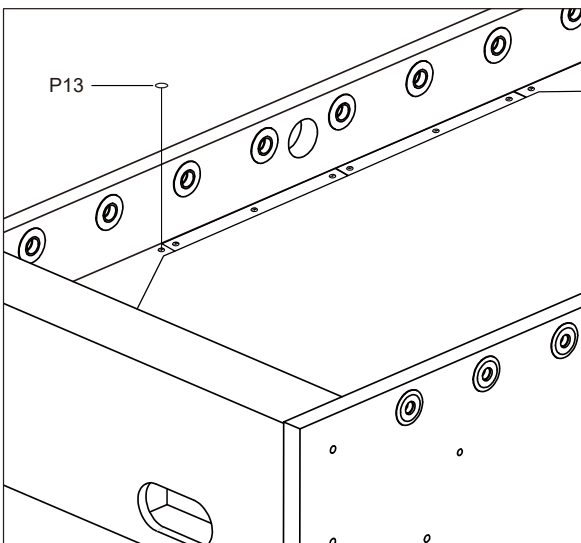
## STEP 6B

Attach the plastic 1a, 1b, 3a, 3b to the playing field with S1.

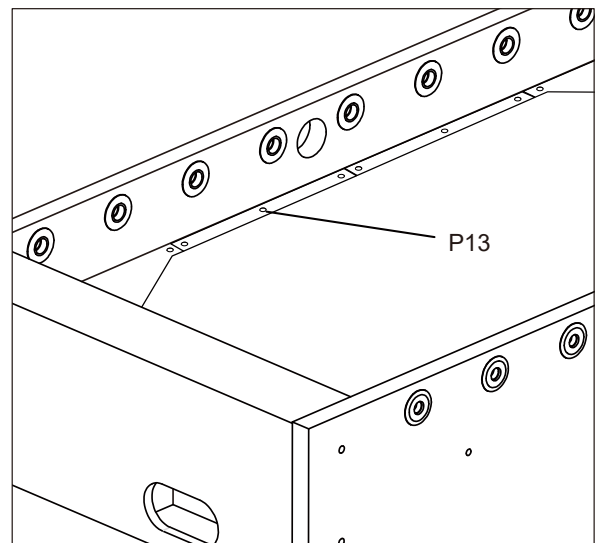


## STEP 6C

Cover the Screw Hole Cap P13 to the screw hole.



## STEP 6D

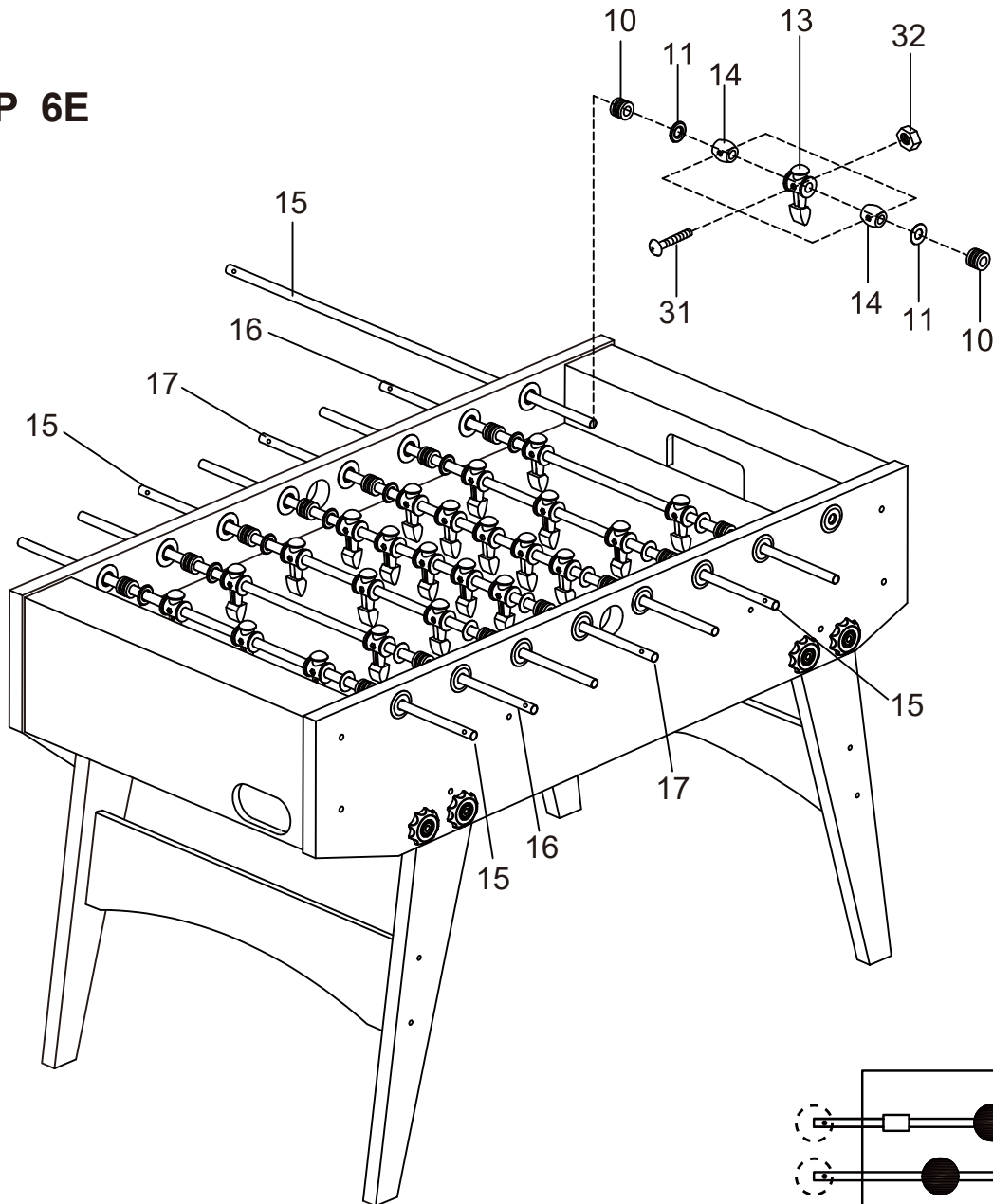




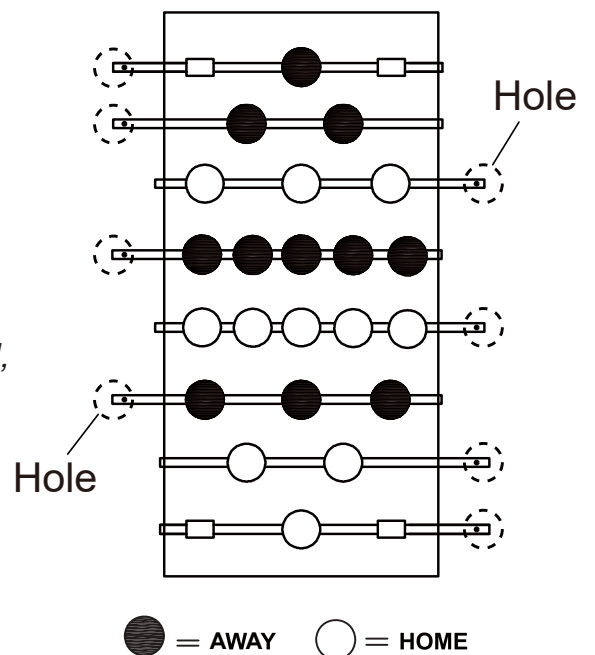
# Assembly Instructions

WARNING: TWO ADULTS ARE NEEDED TO ASSEMBLE THE SOCCER TABLE

## STEP 6E



*Insert the rod end part way through one side panel, and then place the rest of the parts needed on each rod, in the order shown, before inserting through the other side panel.*

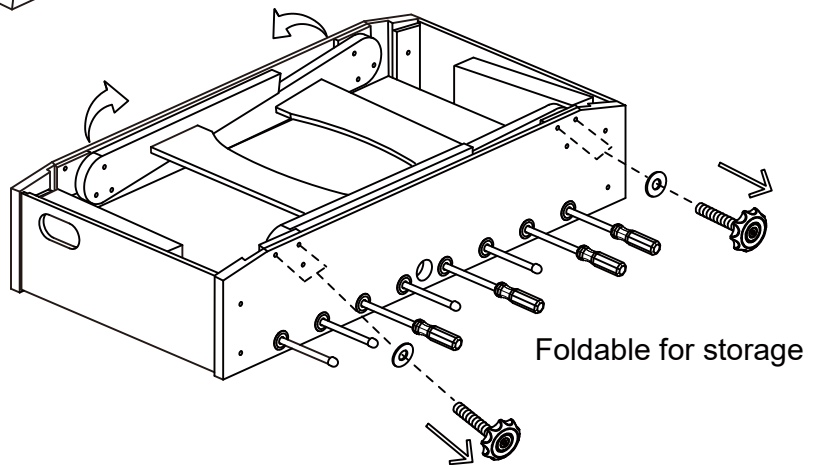
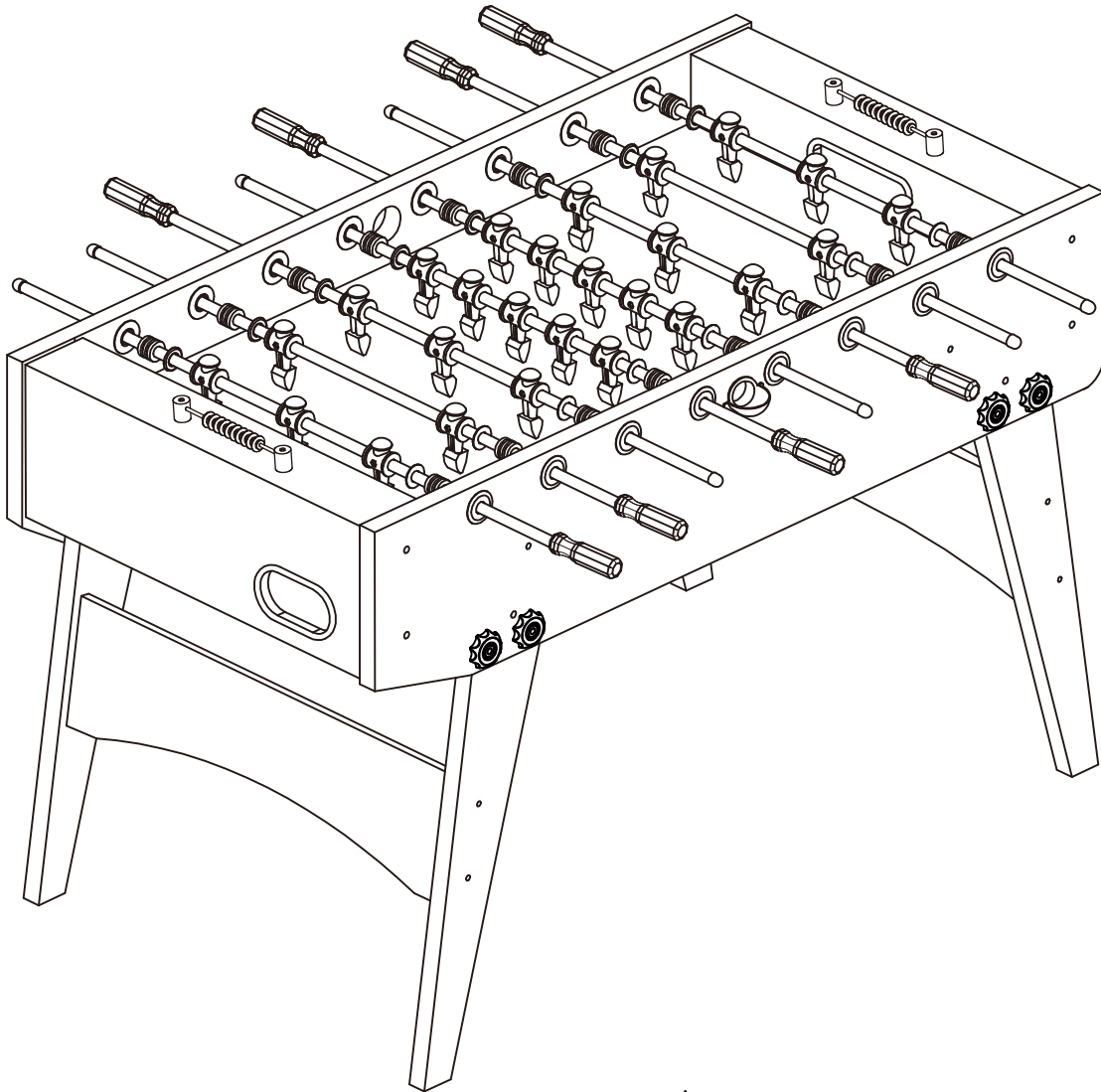




# Assembly Instructions

WARNING: TWO ADULTS ARE NEEDED TO ASSEMBLE THE SOCCER TABLE

## STEP 8



**NOTE:** Once table is completely assembled and placed in desired location, use level (not included) to adjust table is level in both directions.